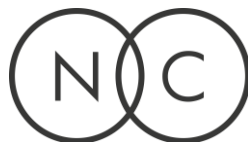


# SUSTAINABILITY DECLARATION

## KURBITS TABLE



## QUALITY AND ENVIRONMENTAL LABELLING



The mark of responsible forestry

### MATERIAL CONTENT:

Wood	7,90 kg	99,9 %
Plastic	<0,01 kg	<0,1 %
Steel	<0,01 kg	<0,1 %
<b>Total</b>	<b>7,90 kg</b>	<b>100 %</b>

*Disclaimer: Material content is based on Kurbits 625 with solid natural tabletop. Declaration may vary based on model and options selected.*

### RECYCLED MATERIAL:

Post-consumer recycled content	0 kg	0 %
Pre-consumer recycled content	0 kg	0 %
<b>Total recycled content</b>	<b>0 kg</b>	<b>0 %</b>

### RECYCLABILITY:

Plastic	<0,01 kg	<0,1 %
Steel	<0,01 kg	<0,1 %
<b>Total material recycling</b>	<b>&lt;0,01 kg</b>	<b>&lt;0,1 %</b>

Wood	7,90 kg	99,9 %
<b>Total energy recovery</b>	<b>7,90 kg</b>	<b>99,9 %</b>

### TOTAL CO<sub>2</sub>:



### ENERGY VALUE: (in accordance with NF Environnement)

36 MJ

## FULFILLED TECHNICAL STANDARDS

- EN 15372 Strength, durability and safety requirements for non domestic table as meeting table, coffee table
- EN 1730 Test methods of test for the determination of strength, durability and stability
- EN 12720 Assessment of surface resistance to cold liquids
- SS 83 91 22 Impact of fat on a scratched surface
- EN 12722 Assessment of surfaces resistance to dry heat
- SIS 83 91 17 Assessment of surfaces resistance to scratches

## FULFILLED FIRE REQUIREMENTS

- Euroclass D

## CHEMICAL DATA

Following have not been added to the product:

Substances on Reach candidate list of SVHC's above 0,1 % w/w
Asbestos
Heavy metals
Phtahalates
Brominated or halogenated flame retardants
PVC
Hexavalent chromium
Biocides

## COMPANY CERTIFICATIONS

- ISO 14001
- ISO 9001
- OHSAS 18001
- FSC® Chain of Custody

## PACKAGING AND TRANSPORT

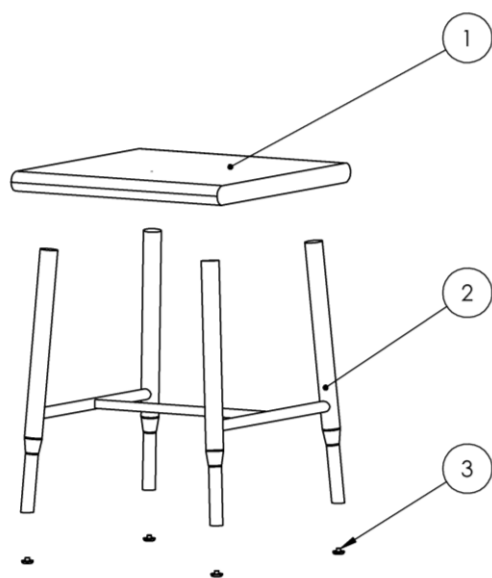
Packaged in recyclable packaging labeled with FSC. NC is connected to Näringslivets Producentansvar, the Swedish nationwide recycling system for packaging. The product is shipped to the consumer in Kinnarps' trucks with blankets and cardboard sheets as packing material which is returned to the factory after delivery and reused.

## CARE AND MAINTENANCE RECOMMENDATIONS

Please visit our webpage.

<https://www.ncnordiccare.se/en/sustainability/care-advice/>

# RECYCLING



Material	ID	Disassembly	Waste fraction
Wood	1, 2	Screwdriver	Combustible waste/Wood
Plastic	3	Hammer	Plastic
Steel	3	Hammer	Metal

*\*The product should in first hand be reused or remade before recycling its components.*

## LEED CONTRIBUTION

The product can contribute to the earning of points within the following credits.

### LEED V 4

#### Interior Design & Construction

MR Credit: Interiors life-cycle impact reduction	Services offered for recycling, refreshing or reusing products. Share of recyclable material in the product: <0,1 %.
MR Credit: Building product disclosure and optimization – sourcing of raw materials	Recycled content: Post consumer 0 %, Pre consumer 0 %. The product is labelled with FSC 100 %.

#### Building Design and Construction

MR Credit: Building product disclosure and optimization – sourcing of raw materials	Recycled content: Post consumer 0 %, Pre consumer 0 %. The product is FSC labelled.
MR Credit: Furniture and medical furnishings (healthcare)	The product contains no or less than 100ppm hexavalent chromium, heavy metals, PFCs or PFOA, or added anti-microbial treatments. Recycled content: Post consumer 0 %, Pre consumer 0 %. The product is labelled with FSC 100 %.

#### Building Operations and Maintenance

MR Credit: purchasing—facility maintenance and renovation	The product does not contain any substances on REACH Authorization or Candidate list. The product is labelled with FSC 100 %.
---	--

Verified date: 2024-08-27